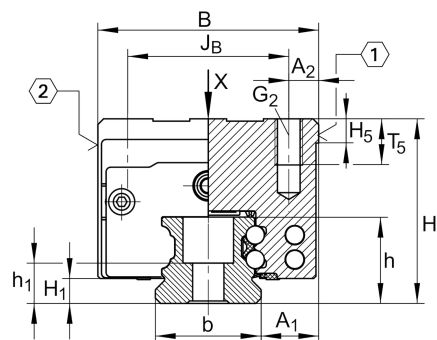


KUVE20-B-SN

球单轨引导系统

滑块 KWVE..-B-SN, 窄低型滑块, 四列

技术信息

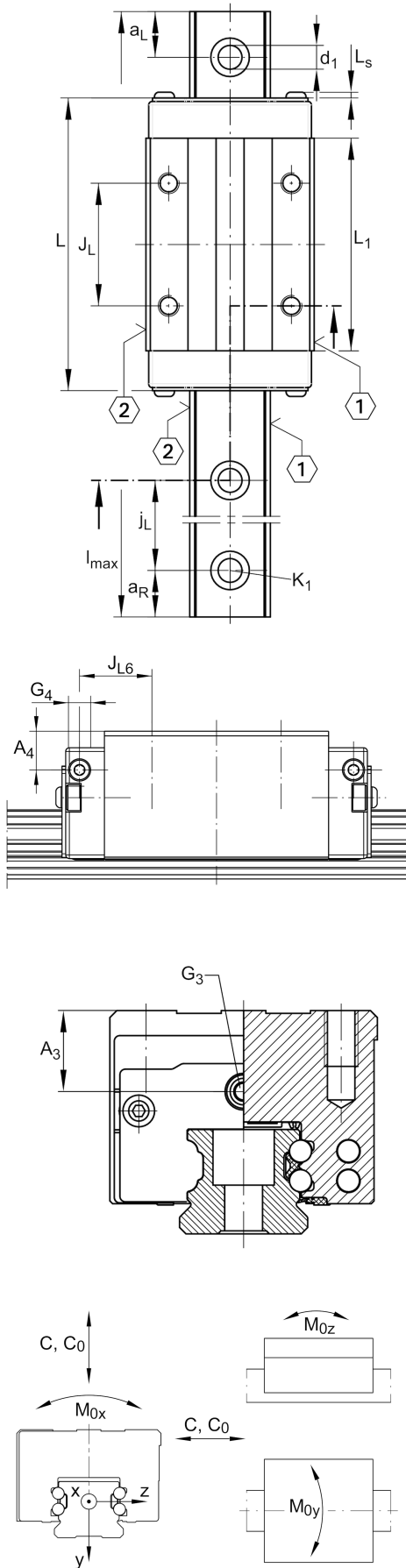


Main dimensions

l_{max}	[5,880] mm	Max length single piece guideway
H	[27] mm	height system
B	[44] mm	width carriage
L	[71.4] mm	overall length carriage

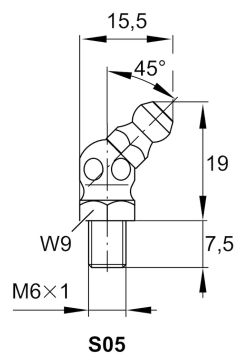
安装尺寸

C	[13,100] N	dynamic load rating
C_0	[27,000] N	static load rating
M_{0x}	[332] Nm	static moment rating about X axis
M_{0y}	[240] Nm	static moment rating about Y axis
M_{0z}	[240] Nm	static moment rating about Z axis



安装尺寸

A_1	[12] mm	
J_B	[32] mm	
b	[20] mm	width rail
Tol_b	[-0.005] mm	Upper tolerance
Tol_b	[-0.03] mm	Lower tolerance
A_2	[6] mm	
L_1	[50.4] mm	
L_s	[1.3] mm	
J_L	[36] mm	
j_L	[60] mm	
$a_{L\ min}$	[20] mm	
$a_{L\ max}$	[53] mm	
$a_{R\ min}$	[20] mm	
$a_{R\ max}$	[53] mm	
H_1	[4.5] mm	
H_5	[5.25] mm	
T_5	[7.5] mm	
h	[17] mm	
h_1	[8.6] mm	
G_2	[M5]	fixing screws
G_{2MA}	[10] Nm	maximum tightening torque
K_1	[M5]	fixing screws
K_{1MA}	[10] Nm	maximum tightening torque
d_1	[5.8] mm	
A_3	[4.7] mm	
G_3	[M5] mm	
t_{G_3}	[7] mm	
A_4	[3.3] mm	
G_4	[M3]	
t_{G_4}	[5.5] mm	
J_{L6}	[11.4] mm	



Related products

[KWVE20-B-SN]	Carriage
[TKVD20]	suitable Guide Rail