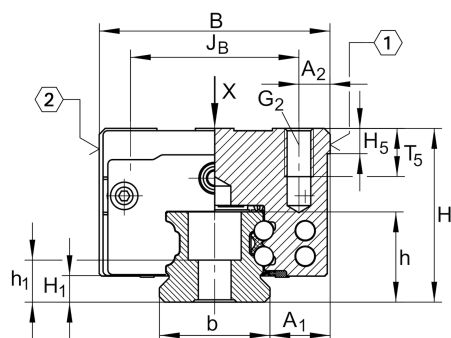


KUVE30-B-SL

球单轨引导系统

滑块 KWVE...-B-SL, 窄长型滑块, 四列

技术信息

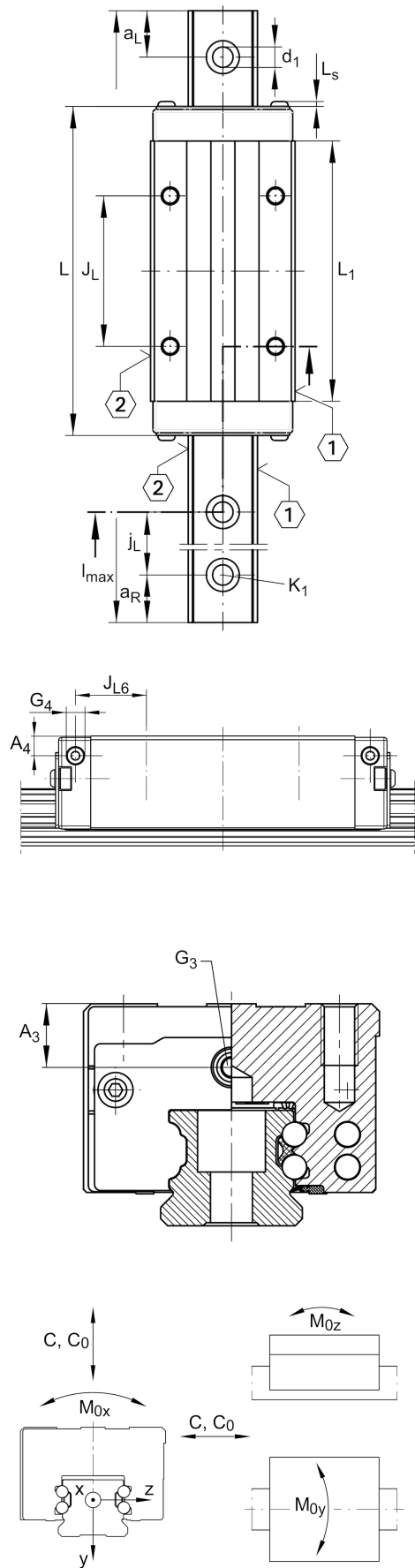


Main dimensions

l_{max}	[5,860] mm	Max length single piece guideway
H	[36] mm	height system
B	[48] mm	width carriage
L	[127] mm	overall length carriage

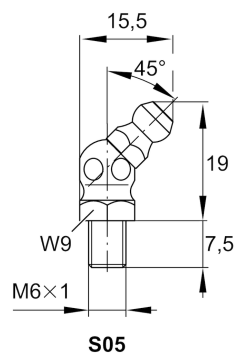
安装尺寸

C	[34,500] N	dynamic load rating
C_0	[74,000] N	static load rating
M_{0x}	[1,310] Nm	static moment rating about X axis
M_{0y}	[1,240] Nm	static moment rating about Y axis
M_{0z}	[1,240] Nm	static moment rating about Z axis



安装尺寸

A_1	[16] mm	
J_B	[40] mm	
b	[28] mm	width rail
Tol_b	[-0.005] mm	Upper tolerance
Tol_b	[-0.03] mm	Lower tolerance
A_2	[10] mm	
L_1	[100] mm	
L_s	[1.65] mm	
J_L	[60] mm	
j_L	[80] mm	
$a_{L\ min}$	[20] mm	
$a_{L\ max}$	[71] mm	
$a_{R\ min}$	[20] mm	
$a_{R\ max}$	[71] mm	
H_1	[5.9] mm	
H_5	[6.25] mm	
T_5	[13.5] mm	
h	[23.5] mm	
h_1	[11] mm	
G_2	[M8]	fixing screws
$G_{2\ MA}$	[41] Nm	maximum tightening torque
K_1	[M8]	fixing screws
$K_{1\ MA}$	[41] Nm	maximum tightening torque
d_1	[9] mm	
A_3	[11.5] mm	
G_3	[M6] mm	
t_{G_3}	[7] mm	
A_4	[7] mm	
G_4	[M6]	
t_{G_4}	[7] mm	
J_{L6}	[25.5] mm	



Related products

[KWVE30-B-SL]	Carriage
[TKVD30]	suitable Guide Rail