

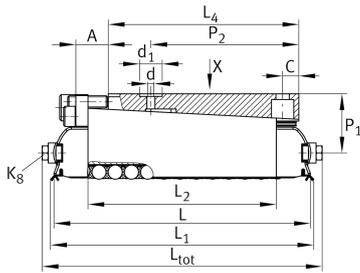
RUSV42126-KS

直线循环滚柱轴承组件

舍弗勒ID：
0010039680000

直线滚珠轴承，带间隔元件，带集成调节槽，RUSV...-KS

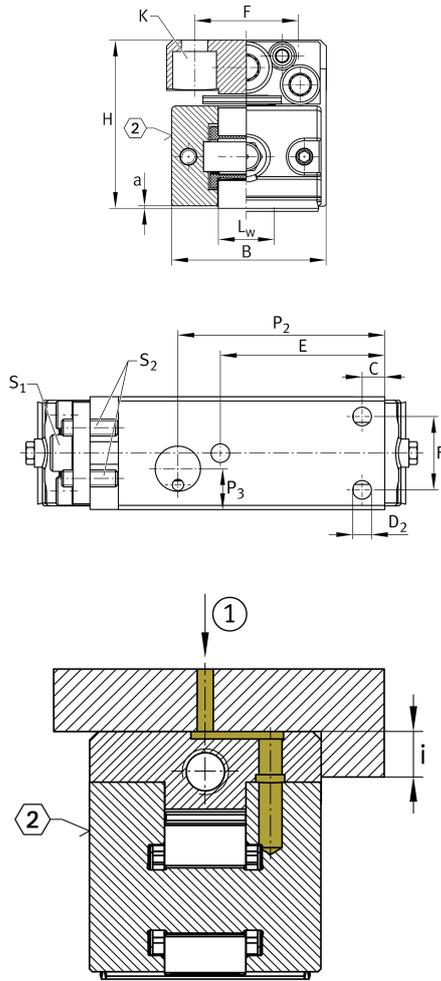
技术信息



主要尺寸和性能数据

L	138 mm	Length total
B	40 mm	Width
H	42 mm	Height
C	122,000 N	Basic dynamic load capacity
C ₀	209,000 N	Basic static load capacity
	1.33 kg	{重量}

安装尺寸



L	126 mm	
L ₁	132 mm	
L ₃	92.4 mm	
L ₄	94 mm	
a	0.3 mm	
L _w	14 mm	
C	8 mm	
E	58 mm	Mounting dimension
F	26 mm	
i	6 mm	Mounting dimension
P ₁	29.5 mm	
d ₁	16 mm	
P ₂	73 mm	
P ₃	14.5 mm	
d	3 mm	
K	M6	Lubrication connector DIN3405-A
S ₁	6 mm	Hexagon socket adjusting screw
S ₂	3 mm	Hexagon socket counter forcing screw
K	M6	Size thread k DIN
K M _A	17 Nm	Tightening torque fixing screws
D ₂	6.6 mm	
A _{max}	10 mm	Screw stroke A
Delta h _{max}	0.52 mm	Adjustment maximum
	0.05 mm	Adjustment screw revolution

Related products

UG9741, UGN9741-A, suitable Guide Rails
 UZ9741, UZN9741-A,
 UFK4710, UFB6412