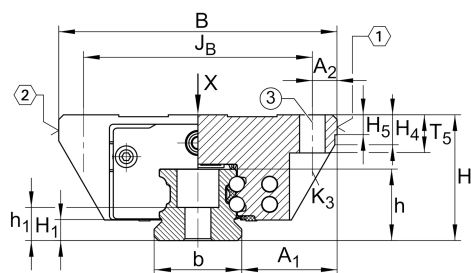


KUVE20-B-EC

球单轨引导系统

滑块 KWVE...-B-EC, 互换性高, 短滑块, 四列

技术信息

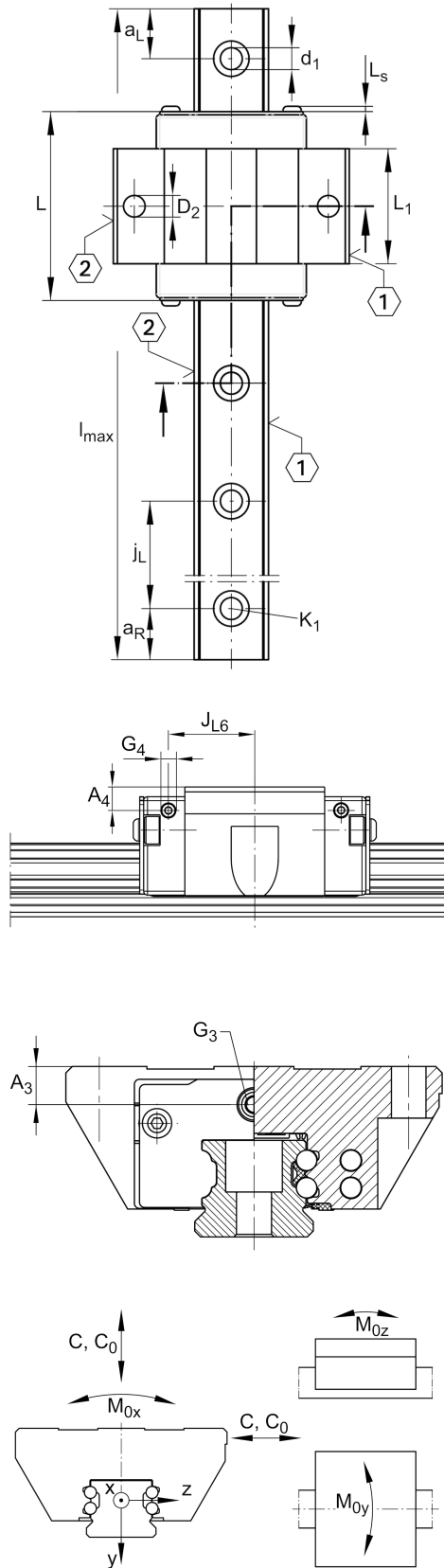


Main dimensions

l_{max}	[5,880] mm	Max length single piece guideway
H	[28] mm	height system
B	[59] mm	width carriage
L	[50.4] mm	overall length carriage

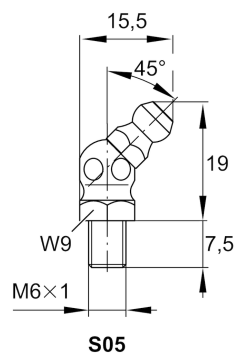
安装尺寸

C	[8,900] N	dynamic load rating
C_0	[15,400] N	static load rating
M_{0x}	[190] Nm	static moment rating about X axis
M_{0y}	[85] Nm	static moment rating about Y axis
M_{0z}	[85] Nm	static moment rating about Z axis



安装尺寸

A_1	[19.5] mm	
J_B	[49] mm	
b	[20] mm	width rail
Tol_b	[-0.005] mm	Upper tolerance
Tol_b	[-0.03] mm	Lower tolerance
A_2	[5] mm	
L_1	[29.4] mm	
L_s	[1.3] mm	
j_L	[60] mm	
$a_{L\ min}$	[20] mm	
$a_{L\ max}$	[53] mm	
$a_{R\ min}$	[20] mm	
$a_{R\ max}$	[53] mm	
H_1	[4.5] mm	
H_4	[11.2] mm	
H_5	[5.25] mm	
T_5	[9] mm	
h	[17] mm	
h_1	[8.6] mm	
K_1	[M5]	fixing screws
K_{1MA}	[10] Nm	maximum tightening torque
K_3	[M5]	fixing screws
K_{3MA}	[10] Nm	maximum tightening torque
d_1	[5.8] mm	
D_2	[5.5] mm	
A_3	[6] mm	
G_3	[M5] mm	
t_{G_3}	[7] mm	
A_4	[4.3] mm	
G_4	[M3]	
t_{G_4}	[5.5] mm	
J_{L6}	[18.9] mm	



Related products

[KWVE20-B-EC]	Carriage
[TKVD20]	suitable Guide Rail