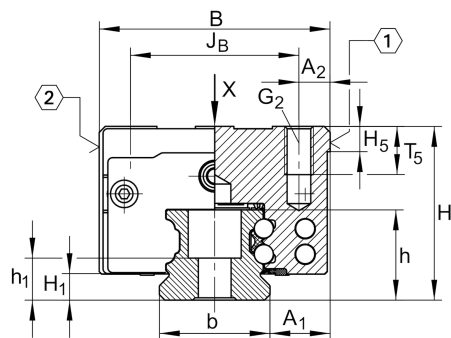


KUVE35-B-SL

球单轨引导系统

滑块 KWVE..-B-SL, 窄长型滑块, 四列

技术信息

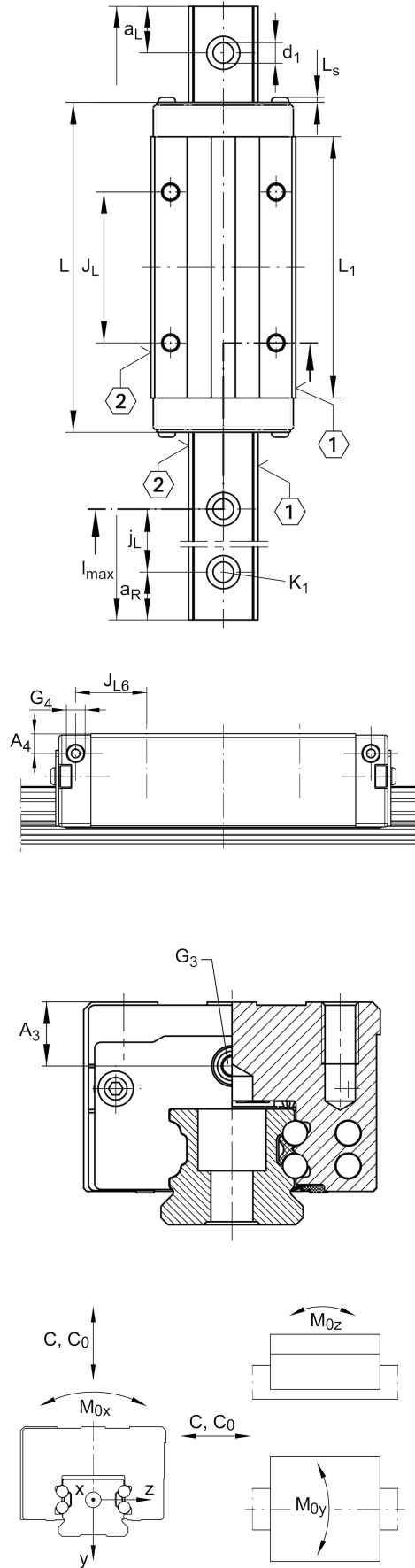


Main dimensions

l_{max}	[5,860] mm	Max length single piece guideway
H	[48] mm	height system
B	[70] mm	width carriage
L	[145] mm	overall length carriage

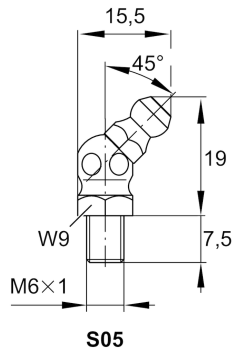
安装尺寸

C	[47,500] N	dynamic load rating
C_0	[100,000] N	static load rating
M_{0x}	[2,625] Nm	static moment rating about X axis
M_{0y}	[1,890] Nm	static moment rating about Y axis
M_{0z}	[1,890] Nm	static moment rating about Z axis



安装尺寸

A_1	[18] mm	
J_B	[50] mm	
b	[34] mm	width rail
Tol_b	[-0.005] mm	Upper tolerance
Tol_b	[-0.03] mm	Lower tolerance
A_2	[10] mm	
L_1	[113] mm	
L_s	[2.2] mm	
J_L	[80] mm	
j_L	[80] mm	
$a_{L\ min}$	[20] mm	
$a_{L\ max}$	[71] mm	
$a_{R\ min}$	[20] mm	
$a_{R\ max}$	[71] mm	
H_1	[6.7] mm	
H_5	[6.75] mm	
T_5	[13.5] mm	
h	[27] mm	
h_1	[14.5] mm	
G_2	[M8]	fixing screws
G_{2MA}	[41] Nm	maximum tightening torque
K_1	[M8]	fixing screws
K_{1MA}	[41] Nm	maximum tightening torque
d_1	[9] mm	
A_3	[12.3] mm	
G_3	[M6] mm	
t_{G_3}	[7] mm	
A_4	[11] mm	
G_4	[M6]	
t_{G_4}	[7] mm	
J_{L6}	[27.5] mm	



Related products

[KWVE35-B-SL]	Carriage
[TKVD35]	suitable Guide Rail