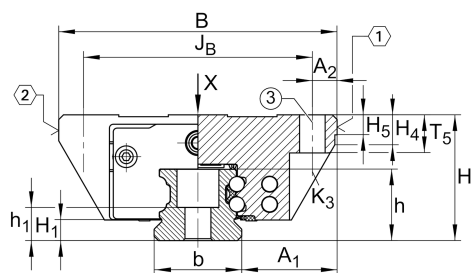


KUVE25-B-EC

球单轨引导系统

滑块 KWVE...-B-EC, 互换性高, 短滑块, 四列

技术信息

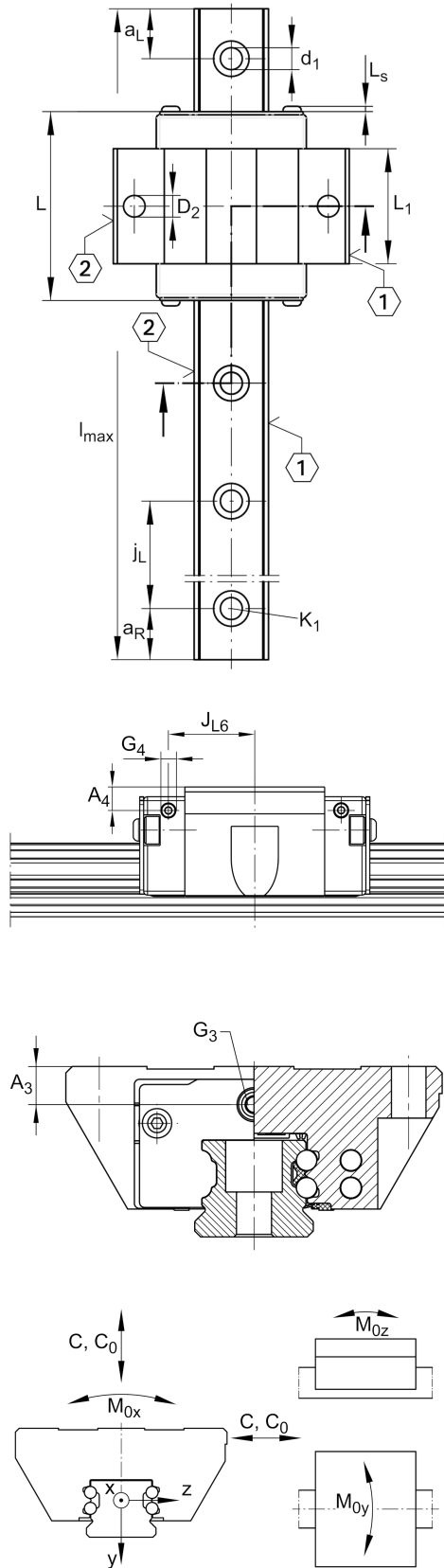


Main dimensions

l_{max}	[5,880] mm	Max length single piece guideway
H	[33] mm	height system
B	[73] mm	width carriage
L	[58.2] mm	overall length carriage

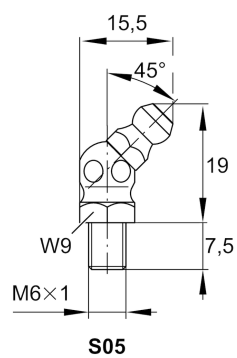
安装尺寸

C	[12,500] N	dynamic load rating
C_0	[22,200] N	static load rating
M_{0x}	[305] Nm	static moment rating about X axis
M_{0y}	[155] Nm	static moment rating about Y axis
M_{0z}	[155] Nm	static moment rating about Z axis



安装尺寸

A_1	[31] mm	
J_B	[60] mm	
b	[23] mm	width rail
Tol_b	[-0.005] mm	Upper tolerance
Tol_b	[-0.03] mm	Lower tolerance
A_2	[6.5] mm	
L_1	[35.6] mm	
L_s	[1.65] mm	
j_L	[60] mm	
$a_{L\ min}$	[20] mm	
$a_{L\ max}$	[53] mm	
$a_{R\ min}$	[20] mm	
$a_{R\ max}$	[53] mm	
H_1	[5.1] mm	
H_4	[7.85] mm	
H_5	[5.25] mm	
T_5	[10] mm	
h	[18.7] mm	
h_1	[8.2] mm	
K_1	[M6]	fixing screws
K_{1MA}	[17] Nm	maximum tightening torque
K_3	[M6]	fixing screws
K_{3MA}	[17] Nm	maximum tightening torque
d_1	[6.8] mm	
D_2	[6.7] mm	
A_3	[8] mm	
G_3	[M6] mm	
t_{G_3}	[7] mm	
A_4	[6] mm	
G_4	[M3]	
t_{G_4}	[6] mm	
J_{L6}	[22] mm	



Related products

[KWVE25-B-EC]	Carriage
[TKVD25]	suitable Guide Rail