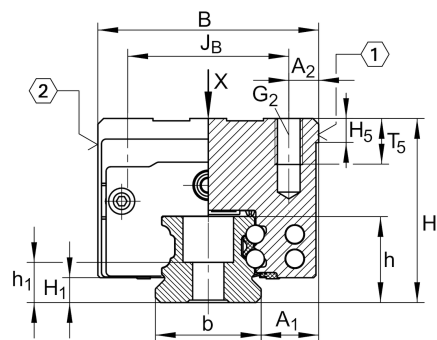


## KUVE35-B-H

球单轨引导系统

滑块 KWVE...-B-H, 高窄型滑块, 四列

### 技术信息

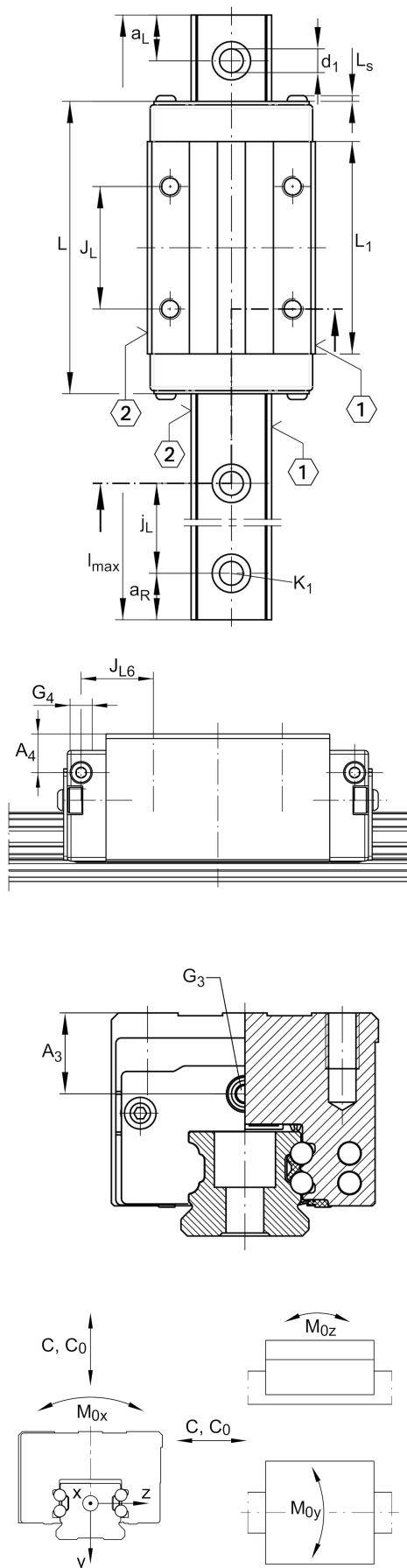


### Main dimensions

$l_{max}$	[5,860] mm	Max length single piece guideway
H	[55] mm	height system
B	[70] mm	width carriage
L	[112] mm	overall length carriage

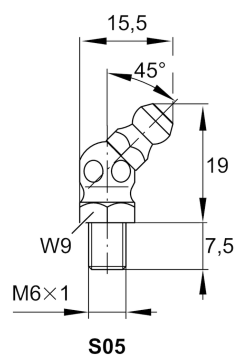
### 安装尺寸

C	[38,000] N	dynamic load rating
$C_0$	[72,000] N	static load rating
$M_{0x}$	[1,465] Nm	static moment rating about X axis
$M_{0y}$	[1,020] Nm	static moment rating about Y axis
$M_{0z}$	[1,020] Nm	static moment rating about Z axis



## 安装尺寸

$A_1$	[18] mm	
$J_B$	[50] mm	
$b$	[34] mm	width rail
$Tol_b$	[-0.005] mm	Upper tolerance
$Tol_b$	[-0.03] mm	Lower tolerance
$A_2$	[10] mm	
$L_1$	[80] mm	
$L_s$	[1.65] mm	
$J_L$	[50] mm	
$j_L$	[80] mm	
$a_{L\ min}$	[20] mm	
$a_{L\ max}$	[71] mm	
$a_{R\ min}$	[20] mm	
$a_{R\ max}$	[71] mm	
$H_1$	[6.7] mm	
$H_5$	[6.75] mm	
$T_5$	[13.5] mm	
$h$	[27] mm	
$h_1$	[14.5] mm	
$G_2$	[M8]	fixing screws
$G_{2MA}$	[41] Nm	maximum tightening torque
$K_1$	[M8]	fixing screws
$K_{1MA}$	[41] Nm	maximum tightening torque
$d_1$	[9] mm	
$A_3$	[19.3] mm	
$G_3$	[M6] mm	
$t_{G_3}$	[7] mm	
$A_4$	[18] mm	
$G_4$	[M6]	
$t_{G_4}$	[7] mm	
$J_{L6}$	[22] mm	



### Related products

[KWVE35-B-H]	Carriage
[TKVD35]	suitable Guide Rail