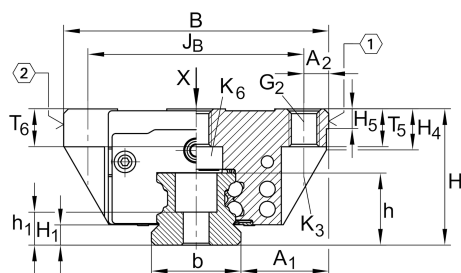


KUVE20-B

球单轨引导系统

滑块 KWVE...-B, 标准滑块, 四列, 满装滚珠

技术信息



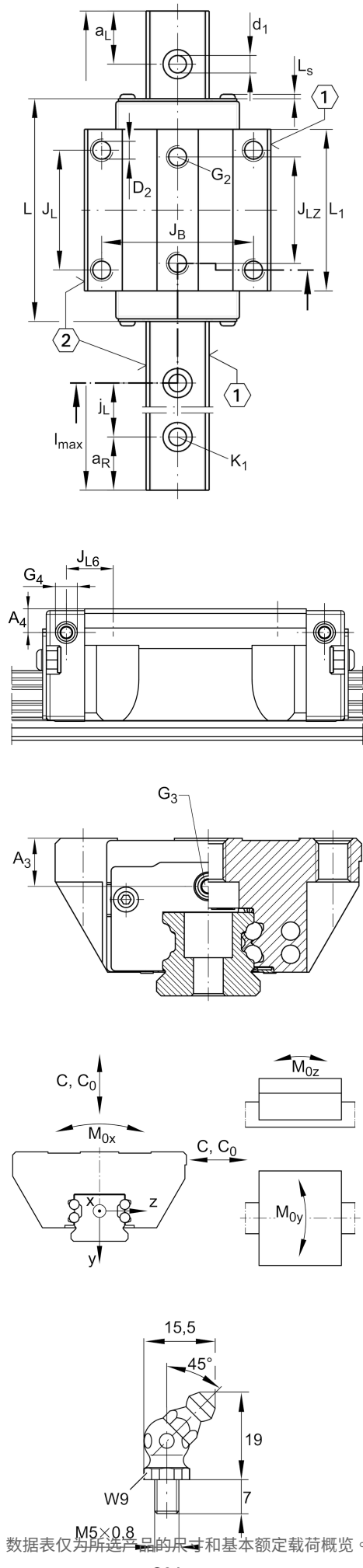
Main dimensions

l_{max}	[5,880] mm	Max length single piece guideway
H	[30] mm	height system
B	[63] mm	width carriage
L	[71.4] mm	overall length carriage

安装尺寸

C	[13,100] N	dynamic load rating
C_0	[27,000] N	static load rating
M_{0x}	[332] Nm	static moment rating about X axis
M_{0y}	[240] Nm	static moment rating about Y axis
M_{0z}	[240] Nm	static moment rating about Z axis

安装尺寸



A_1	[21.5] mm	
J_B	[53] mm	
b	[20] mm	width rail
Tol_b	[-0.005] mm	Upper tolerance
Tol_b	[-0.03] mm	Lower tolerance
A_2	[5] mm	
L_1	[50.4] mm	
L_s	[1.3] mm	
J_L	[40] mm	
J_{LZ}	[35] mm	
j_L	[60] mm	
a_{Lmin}	[20] mm	
a_{Lmax}	[53] mm	
a_{Rmin}	[20] mm	
a_{Rmax}	[53] mm	
H_1	[4.5] mm	
H_4	[11] mm	
H_5	[5.25] mm	
T_5	[10] mm	
T_6	[7.5] mm	
h	[17] mm	
h_1	[8.6] mm	
G_2	[M6]	fixing screws
G_{2MA}	[10] Nm	maximum tightening torque
K_1	[M5]	fixing screws
K_{1MA}	[10] Nm	maximum tightening torque
K_3	[M5]	fixing screws
K_{3MA}	[10] Nm	maximum tightening torque
K_6	[M5]	fixing screws
K_{6MA}	[10] Nm	maximum tightening torque
d_1	[5.8] mm	
D_2	[5.5] mm	
A_3	[7.7] mm	
G_3	[M5] mm	
t_{G_3}	[7] mm	
A_4	[4.6] mm	
G_4	[M5]	
t_{G_4}	[5.5] mm	
J_{L6}	[9.4] mm	

数据表仅为所选产品的尺寸和基本额定载荷概览。请始终遵守本产品的所有更多信息和指南。您可以通过我们网站上的联系表了解更多信息。

Related products

[KWVE20-B]	Carriage
[TKVD20]	suitable Guide Rail