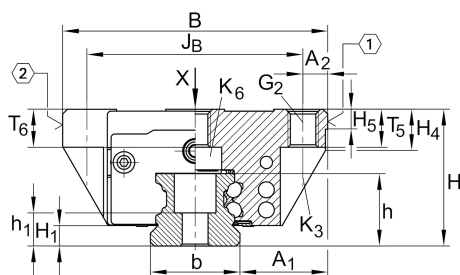


## KUVE30-B-NL

球单轨引导系统

滑块 KWVE...-B-NL, 低长型滑块, 四列

### 技术信息



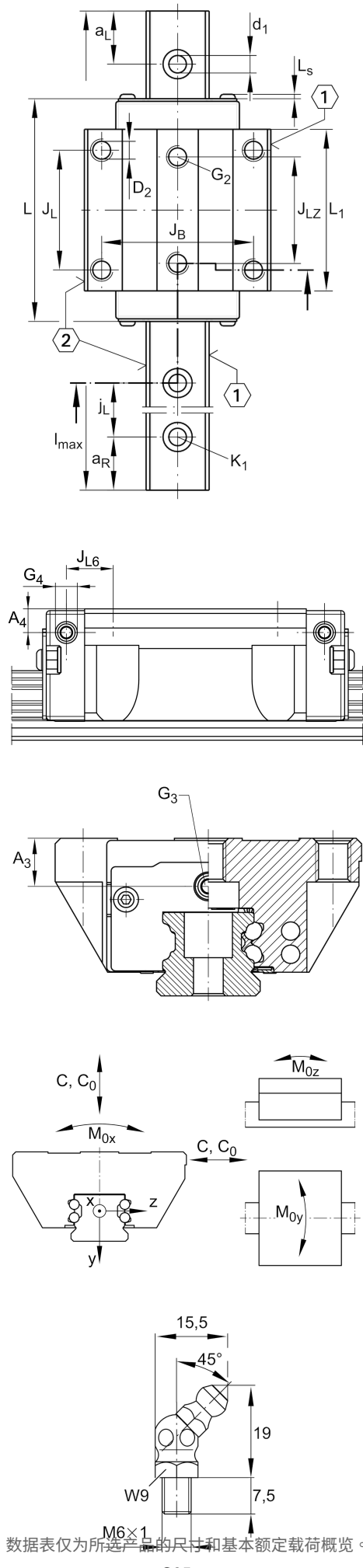
### Main dimensions

$l_{max}$	[5,860] mm	Max length single piece guideway
H	[38] mm	height system
B	[90] mm	width carriage
L	[127] mm	overall length carriage

### 安装尺寸

C	[34,500] N	dynamic load rating
$C_0$	[74,000] N	static load rating
$M_{0x}$	[1,310] Nm	static moment rating about X axis
$M_{0y}$	[1,240] Nm	static moment rating about Y axis
$M_{0z}$	[1,240] Nm	static moment rating about Z axis

## 安装尺寸



$A_1$	[31] mm	
$J_B$	[72] mm	
$b$	[28] mm	width rail
$Tol_b$	[-0.005] mm	Upper tolerance
$Tol_b$	[-0.03] mm	Lower tolerance
$A_2$	[9] mm	
$L_1$	[100] mm	
$L_s$	[1.65] mm	
$J_L$	[52] mm	
$J_{LZ}$	[44] mm	
$j_L$	[80] mm	
$a_{L\ min}$	[20] mm	
$a_{L\ max}$	[71] mm	
$a_{R\ min}$	[20] mm	
$a_{R\ max}$	[71] mm	
$H_1$	[5.9] mm	
$H_4$	[9.8] mm	
$H_5$	[6.25] mm	
$T_5$	[12] mm	
$T_6$	[9] mm	
$h$	[23.5] mm	
$h_1$	[11] mm	
$G_2$	[M10]	fixing screws
$G_{2MA}$	[41] Nm	maximum tightening torque
$K_1$	[M8]	fixing screws
$K_{1MA}$	[41] Nm	maximum tightening torque
$K_3$	[M8]	fixing screws
$K_{3MA}$	[41] Nm	maximum tightening torque
$K_6$	[M8]	fixing screws
$K_{6MA}$	[12] Nm	maximum tightening torque
$d_1$	[9] mm	
$D_2$	[8.6] mm	
$A_3$	[7.5] mm	
$G_3$	[M6] mm	
$t_{G_3}$	[7] mm	
$A_4$	[4.95] mm	
$G_4$	[M5]	
$t_{G_4}$	[7] mm	
$J_{L6}$	[29.1] mm	

数据表仅为所选产品的尺寸和基本额定载荷概览。请始终遵守本产品的所有更多信息和指南。您可以通过我们网站上的联系表了解更多信息。

### Related products

---

[KWVE30-B-NL]	Carriage
[TKVD30]	suitable Guide Rail