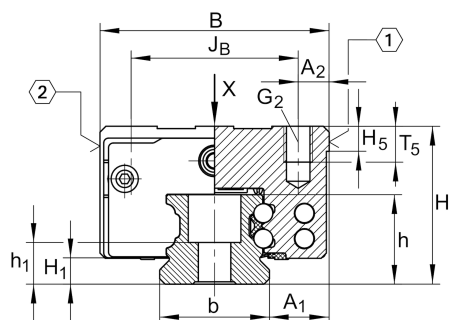


## KUVE15-B-ESC

球单轨引导系统

滑块 KWVE..-B-ESC, 窄短型滑块, 四列, 满装滚珠

### 技术信息

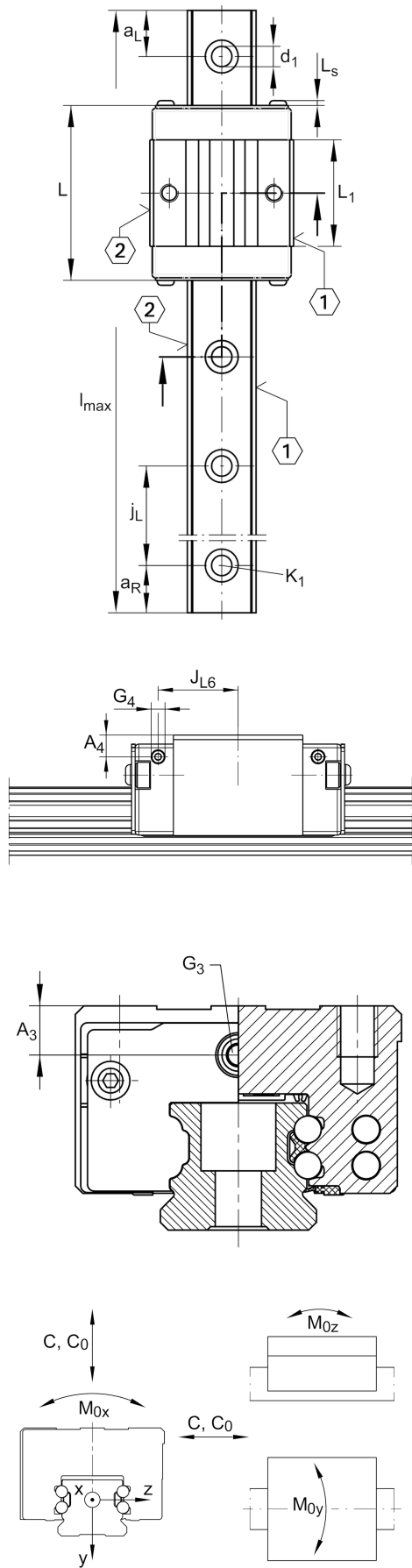


#### Main dimensions

$l_{max}$	[2,880] mm	Max length single piece guideway
H	[24] mm	height system
B	[34] mm	width carriage
L	[44.5] mm	overall length carriage

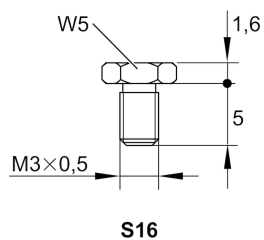
#### 安装尺寸

C	[4,900] N	dynamic load rating
$C_0$	[8,300] N	static load rating
$M_{0x}$	[86] Nm	static moment rating about X axis
$M_{0y}$	[35] Nm	static moment rating about Y axis
$M_{0z}$	[35] Nm	static moment rating about Z axis



安装尺寸

A <sub>1</sub>	[9.5] mm	
J <sub>B</sub>	[26] mm	
b	[15] mm	width rail
Tol <sub>b</sub>	[-0.005] mm	Upper tolerance
Tol <sub>b</sub>	[-0.03] mm	Lower tolerance
A <sub>2</sub>	[4] mm	
L <sub>1</sub>	[23.1] mm	
L <sub>s</sub>	[1.3] mm	
j <sub>L</sub>	[60] mm	
a <sub>L min</sub>	[20] mm	
a <sub>L max</sub>	[53] mm	
a <sub>R min</sub>	[20] mm	
a <sub>R max</sub>	[53] mm	
H <sub>1</sub>	[4.3] mm	
H <sub>5</sub>	[4.75] mm	
T <sub>5</sub>	[6] mm	
h	[15] mm	
h <sub>1</sub>	[7.6] mm	
G <sub>2</sub>	[M4]	fixing screws
G <sub>2MA</sub>	[5] Nm	maximum tightening torque
K <sub>1</sub>	[M4]	fixing screws
K <sub>1MA</sub>	[5] Nm	maximum tightening torque
d <sub>1</sub>	[4.6] mm	
A <sub>3</sub>	[4.3] mm	
G <sub>3</sub>	[M3] mm	
t <sub>G3</sub>	[5.5] mm	
A <sub>4</sub>	[3.2] mm	
G <sub>4</sub>	[M3]	
t <sub>G4</sub>	[5.5] mm	
J <sub>L6</sub>	[15.8] mm	



### Related products

[KWVE15-B-ESC]	Carriage
[TKVD15-B]	suitable Guide Rail