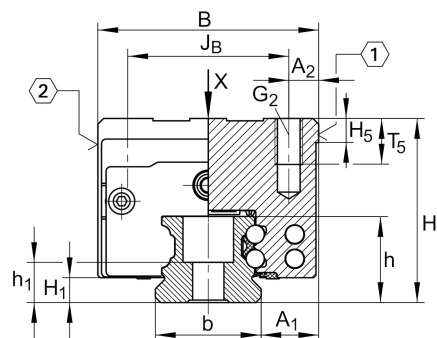


KUVE15-B-H

球单轨引导系统

滑块 KWVE...-B-H, 高窄型滑块, 四列

技术信息

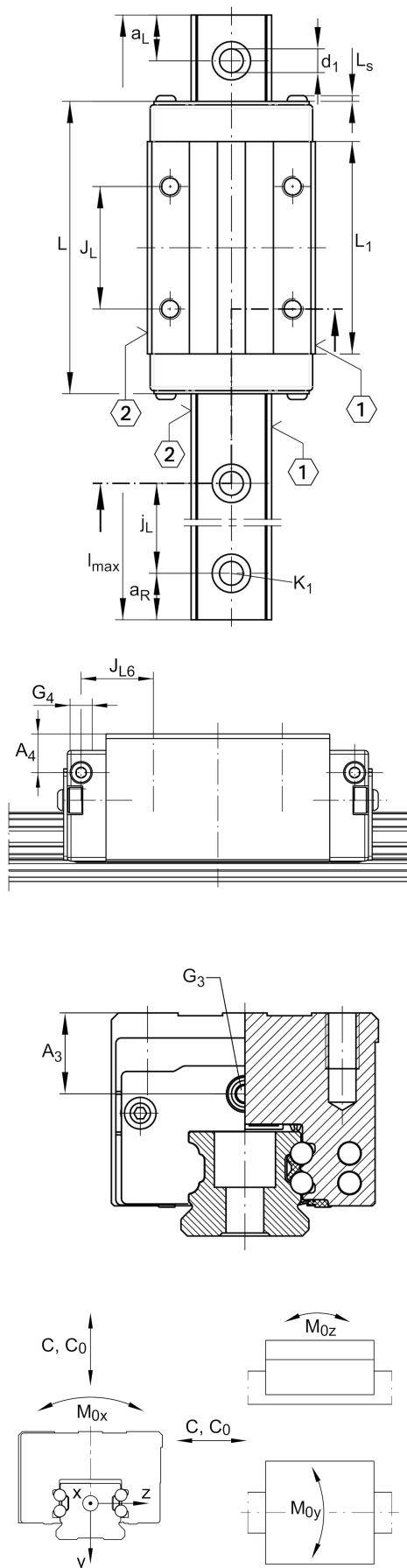


Main dimensions

l_{max}	[2,880] mm	Max length single piece guideway
H	[28] mm	height system
B	[34] mm	width carriage
L	[61.2] mm	overall length carriage

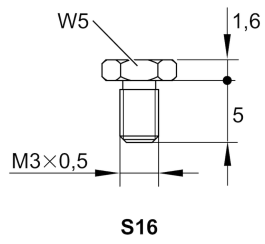
安装尺寸

C	[7,200] N	dynamic load rating
C_0	[14,500] N	static load rating
M_{0x}	[150] Nm	static moment rating about X axis
M_{0y}	[100] Nm	static moment rating about Y axis
M_{0z}	[100] Nm	static moment rating about Z axis



安装尺寸

A_1	[9.5] mm	
J_B	[26] mm	
b	[15] mm	width rail
Tol_b	[-0.005] mm	Upper tolerance
Tol_b	[-0.03] mm	Lower tolerance
A_2	[4] mm	
L_1	[39.8] mm	
L_s	[1.3] mm	
J_L	[26] mm	
j_L	[60] mm	
$a_{L\ min}$	[20] mm	
$a_{L\ max}$	[53] mm	
$a_{R\ min}$	[20] mm	
$a_{R\ max}$	[53] mm	
H_1	[4.3] mm	
H_5	[4.75] mm	
T_5	[6] mm	
h	[15] mm	
h_1	[7.6] mm	
G_2	[M4]	fixing screws
G_{2MA}	[5] Nm	maximum tightening torque
K_1	[M4]	fixing screws
K_{1MA}	[5] Nm	maximum tightening torque
d_1	[4.6] mm	
A_3	[8.3] mm	
G_3	[M3] mm	
t_{G_3}	[5.5] mm	
A_4	[7.2] mm	
G_4	[M3]	
t_{G_4}	[5.5] mm	
J_{L6}	[11.1] mm	



Related products

[KWVE15-B-H]	Carriage
[TKVD15-B]	suitable Guide Rail