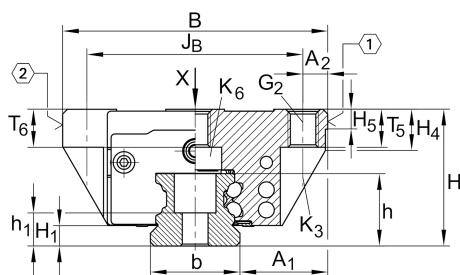


## KUV55-B-L

球单轨引导系统

滑块 KWVE...-B-L, 长型滑块, 四列, 满装滚珠

### 技术信息



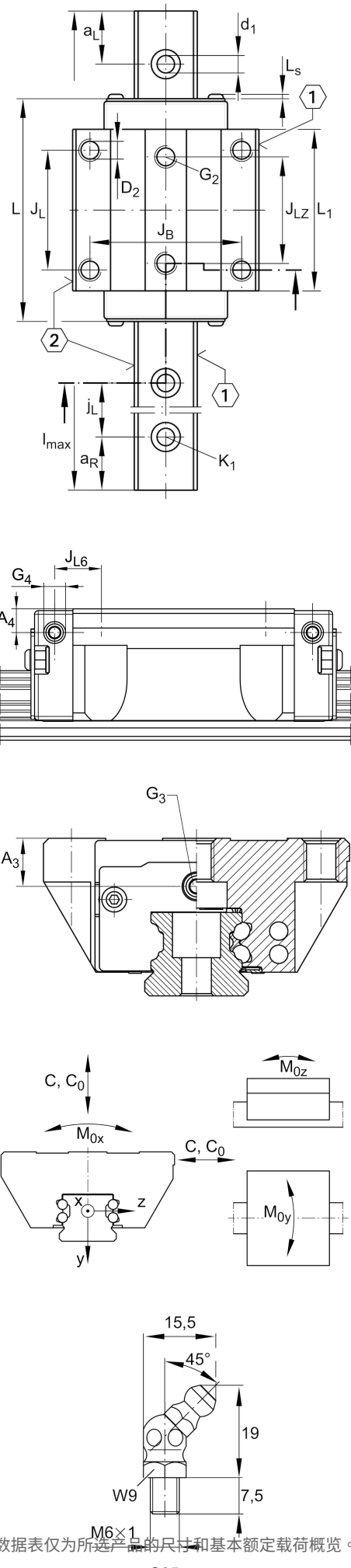
### Main dimensions

$l_{max}$	[5,820] mm	Max length single piece guideway
H	[70] mm	height system
B	[140] mm	width carriage
L	[211.6] mm	overall length carriage

### 安装尺寸

C	[127,000] N	dynamic load rating
$C_0$	[285,000] N	static load rating
$M_{0x}$	[7,500] Nm	static moment rating about X axis
$M_{0y}$	[4,725] Nm	static moment rating about Y axis
$M_{0z}$	[4,725] Nm	static moment rating about Z axis

安装尺寸



$A_1$	[43.5] mm	
$J_B$	[116] mm	
$b$	[53] mm	width rail
$Tol_b$	[-0.005] mm	Upper tolerance
$Tol_b$	[-0.03] mm	Lower tolerance
$A_2$	[12] mm	
$L_1$	[170] mm	
$L_s$	[2.2] mm	
$J_L$	[95] mm	
$J_{LZ}$	[70] mm	
$j_L$	[120] mm	
$a_{L\ min}$	[20] mm	
$a_{L\ max}$	[107] mm	
$a_{R\ min}$	[20] mm	
$a_{R\ max}$	[107] mm	
$H_1$	[13.5] mm	
$H_4$	[22.7] mm	
$H_5$	[11.25] mm	
$T_5$	[21] mm	
$T_6$	[18] mm	
$h$	[41.5] mm	
$h_1$	[19] mm	
$G_2$	[M14]	fixing screws
$G_{2MA}$	[140] Nm	maximum tightening torque
$K_1$	[M14]	fixing screws
$K_{1MA}$	[220] Nm	maximum tightening torque
$K_3$	[M12]	fixing screws
$K_{3MA}$	[140] Nm	maximum tightening torque
$K_6$	[M12]	fixing screws
$K_{6MA}$	[140] Nm	maximum tightening torque
$d_1$	[15.4] mm	
$D_2$	[12.5] mm	
$A_3$	[15] mm	
$G_3$	[M6] mm	
$t_{G_3}$	[7] mm	
$A_4$	[15] mm	
$G_4$	[M6]	
$t_{G_4}$	[7] mm	
$J_{L6}$	[49.5] mm	

数据表仅为所选产品的尺寸和基本额定载荷概览。请始终遵守本产品的所有更多信息和指南。您可以通过我们网站上的联系表了解更多信息。

**Related products**

---

[KWVE55-B-L]	Carriage
[TKVD55-B]	suitable Guide Rail