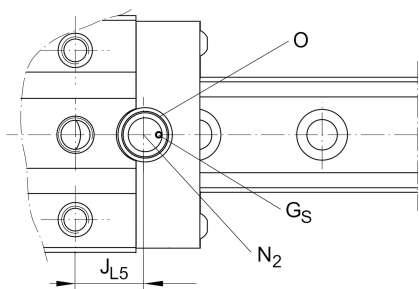
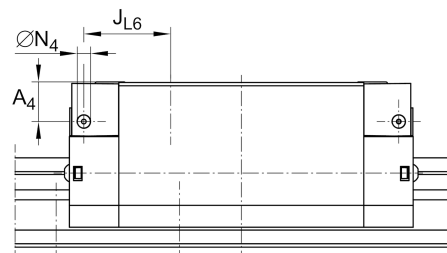
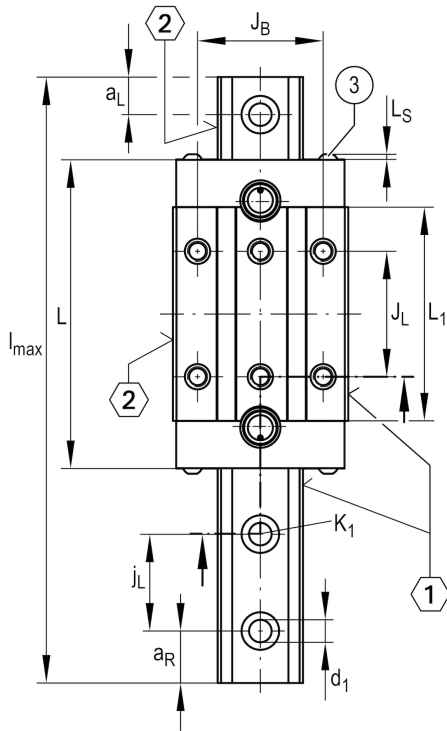
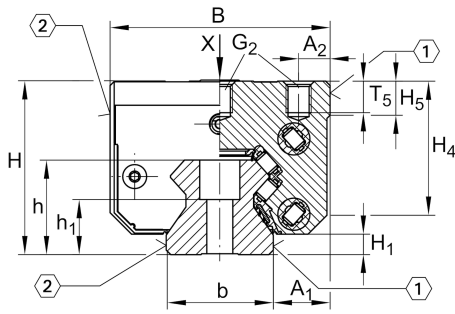


RUE25-E-H

滚子单轨引导系统

带满装循环滚珠导引系统的标准滑块, 用于
直线循环滚珠轴承和导轨组件, 用于润滑油
或脂润滑

技术信息



安装尺寸

A_1	[12.5] mm	
J_B	[35] mm	
b	[23] mm	width rail
Tol_b	[-0.005] mm	Upper tolerance
Tol_b	[-0.03] mm	Lower tolerance
A_2	[6.5] mm	
L_1	[65.6] mm	
J_L	[35] mm	
j_L	[30] mm	
$a_{L\ min}$	[20] mm	
$a_{L\ max}$	[23] mm	
$a_{R\ min}$	[20] mm	Distance
$a_{R\ max}$	[23] mm	
H_1	[6.5] mm	
H_4	[32.5] mm	
H_5	[5.25] mm	
T_5	[7.5] mm	
h	[22.3] mm	
h_1	[11.8] mm	
Tol_{h_1}	[0.5] mm	Upper tolerance
Tol_{h_1}	[-0.5] mm	Lower tolerance
$G_{2\ MA}$	[17] Nm	maximum tightening torque
K_1	[M6]	fixing screws
$K_{1\ MA}$	[17] Nm	maximum tightening torque
d_1	[6.7] mm	
A_3	[11.5] mm	position lubrication adapter
N_3	[M6]	lubrication connector
$N_{2\ max}$	[3] mm	
J_{L5}	[19.5] mm	
G_S	[M4x4]	
O	[10x1,5]	O-Ring DIN 3771

Main dimensions

l_{max}	[3,930] mm	Max length single piece guideway
H	[40] mm	height system
B	[48] mm	width carriage
L	[91] mm	overall length carriage

Technical data

C	[28,000] N	dynamic load rating
C ₀	[65,000] N	static load rating
M _{0x}	[350] Nm	static moment rating about X axis
M _{0y}	[760] Nm	static moment rating about Y axis
M _{0z}	[680] Nm	static moment rating about Z axis

Related products

[RWU25E-H]	Carriage
[TSX25-D]	Guideway

