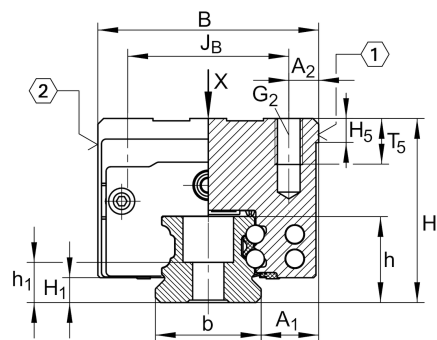


KUVE45-B-S

球单轨引导系统

滑块 KWVE...-B-S, 窄型滑块, 四列

技术信息

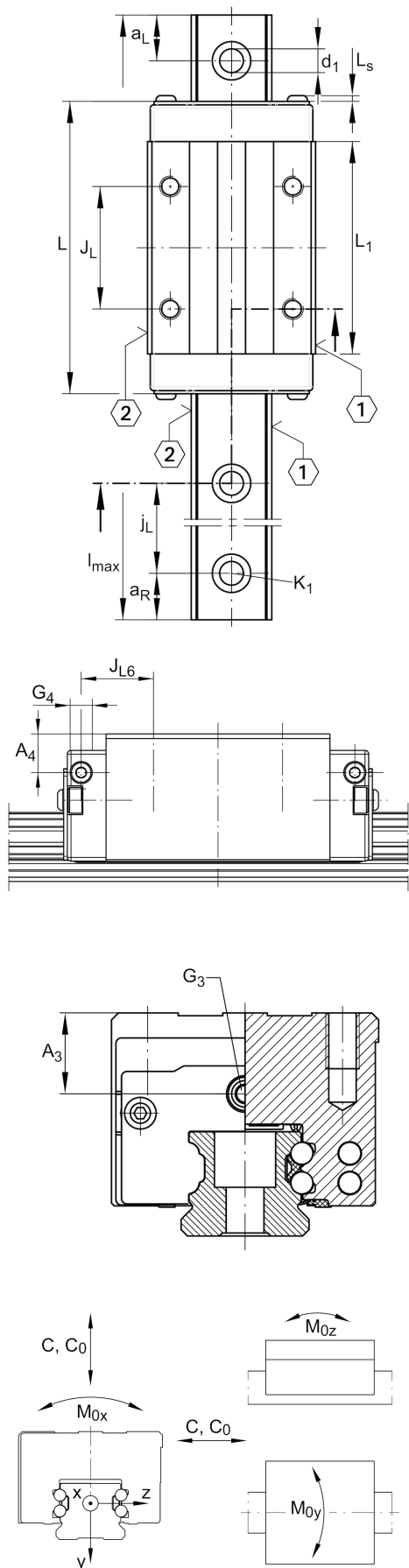


Main dimensions

l_{max}	[5,835] mm	Max length single piece guideway
H	[60] mm	height system
B	[86] mm	width carriage
L	[140.6] mm	overall length carriage

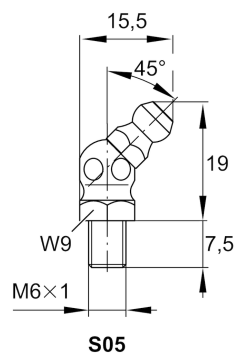
安装尺寸

C	[69,000] N	dynamic load rating
C_0	[141,000] N	static load rating
M_{0x}	[3,610] Nm	static moment rating about X axis
M_{0y}	[2,485] Nm	static moment rating about Y axis
M_{0z}	[2,485] Nm	static moment rating about Z axis



安装尺寸

A_1	[20.5] mm	
J_B	[60] mm	
b	[45] mm	width rail
Tol_b	[-0.005] mm	Upper tolerance
Tol_b	[-0.03] mm	Lower tolerance
A_2	[13] mm	
L_1	[102.5] mm	
L_s	[2.2] mm	
J_L	[60] mm	
j_L	[105] mm	
$a_{L\ min}$	[20] mm	
$a_{L\ max}$	[94] mm	
$a_{R\ min}$	[20] mm	
$a_{R\ max}$	[94] mm	
H_1	[9.7] mm	
H_5	[9.25] mm	
T_5	[17] mm	
h	[34.2] mm	
h_1	[15.7] mm	
G_2	[M10]	fixing screws
G_{2MA}	[83] Nm	maximum tightening torque
K_1	[M12]	fixing screws
K_{1MA}	[140] Nm	maximum tightening torque
d_1	[13.4] mm	
A_3	[16.5] mm	
G_3	[M6] mm	
t_{G_3}	[7] mm	
A_4	[16.5] mm	
G_4	[M6]	
t_{G_4}	[7] mm	
J_{L6}	[29.3] mm	



Related products

[KWVE45-B-S]	Carriage
[TKVD45]	suitable Guide Rail